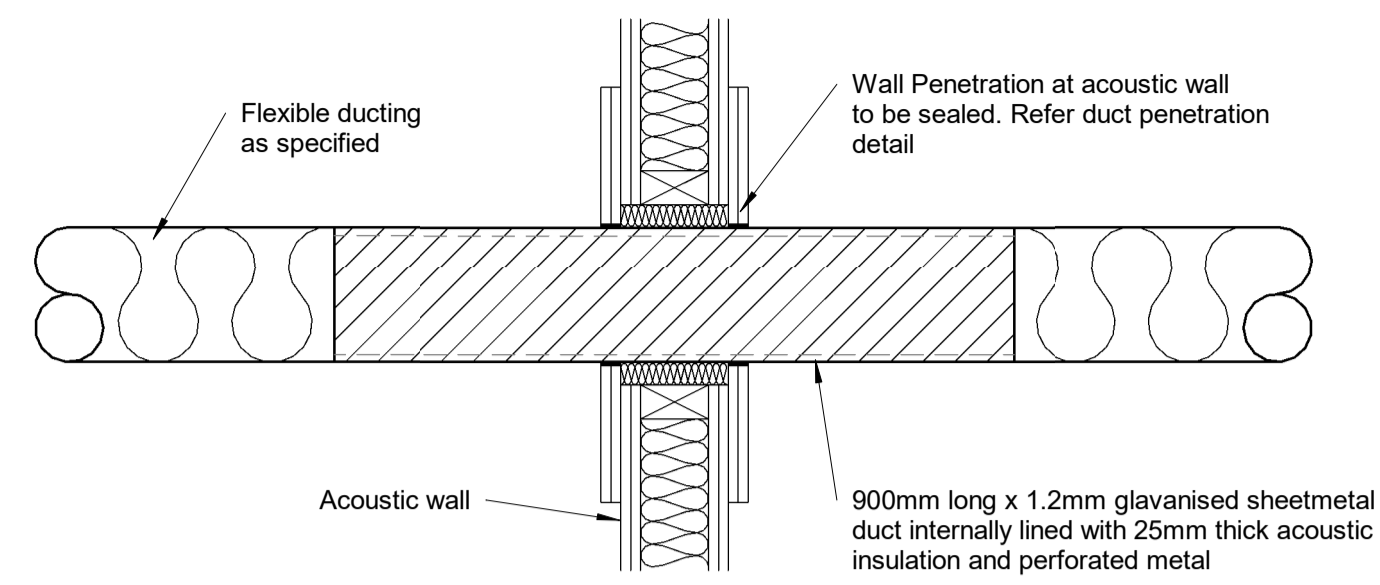


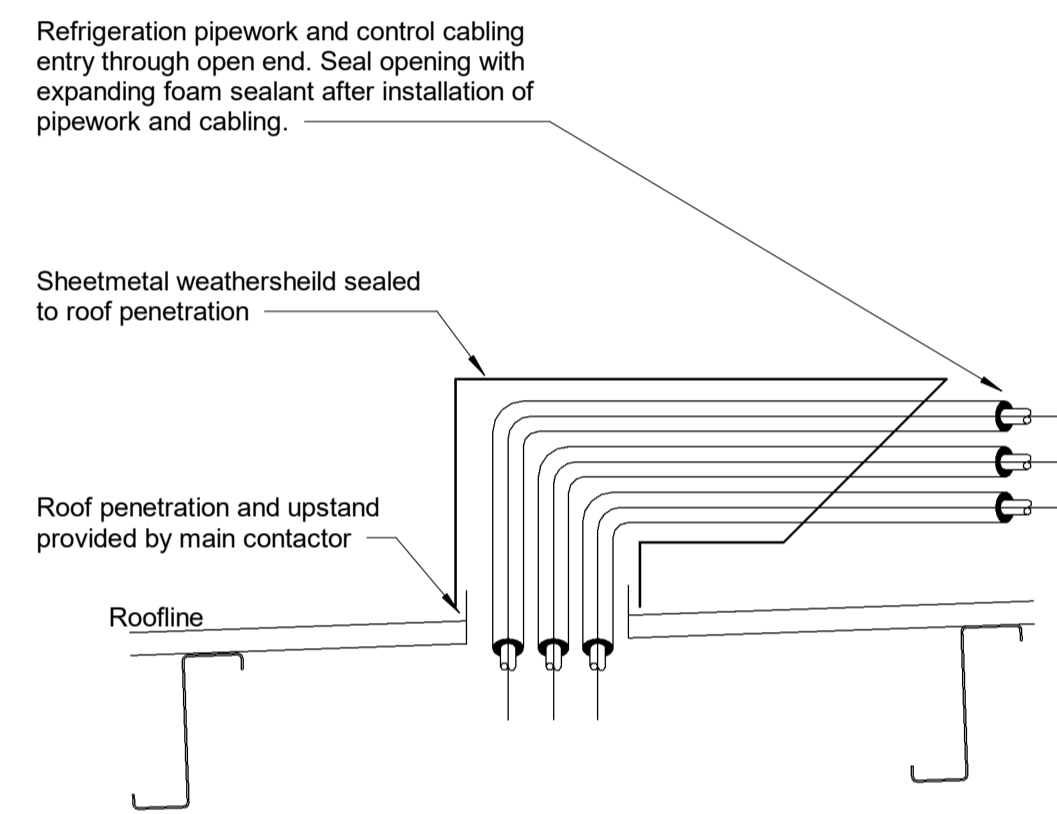
Not To Scale

Duct/Pipe Penetration through lightweight acoustic wall



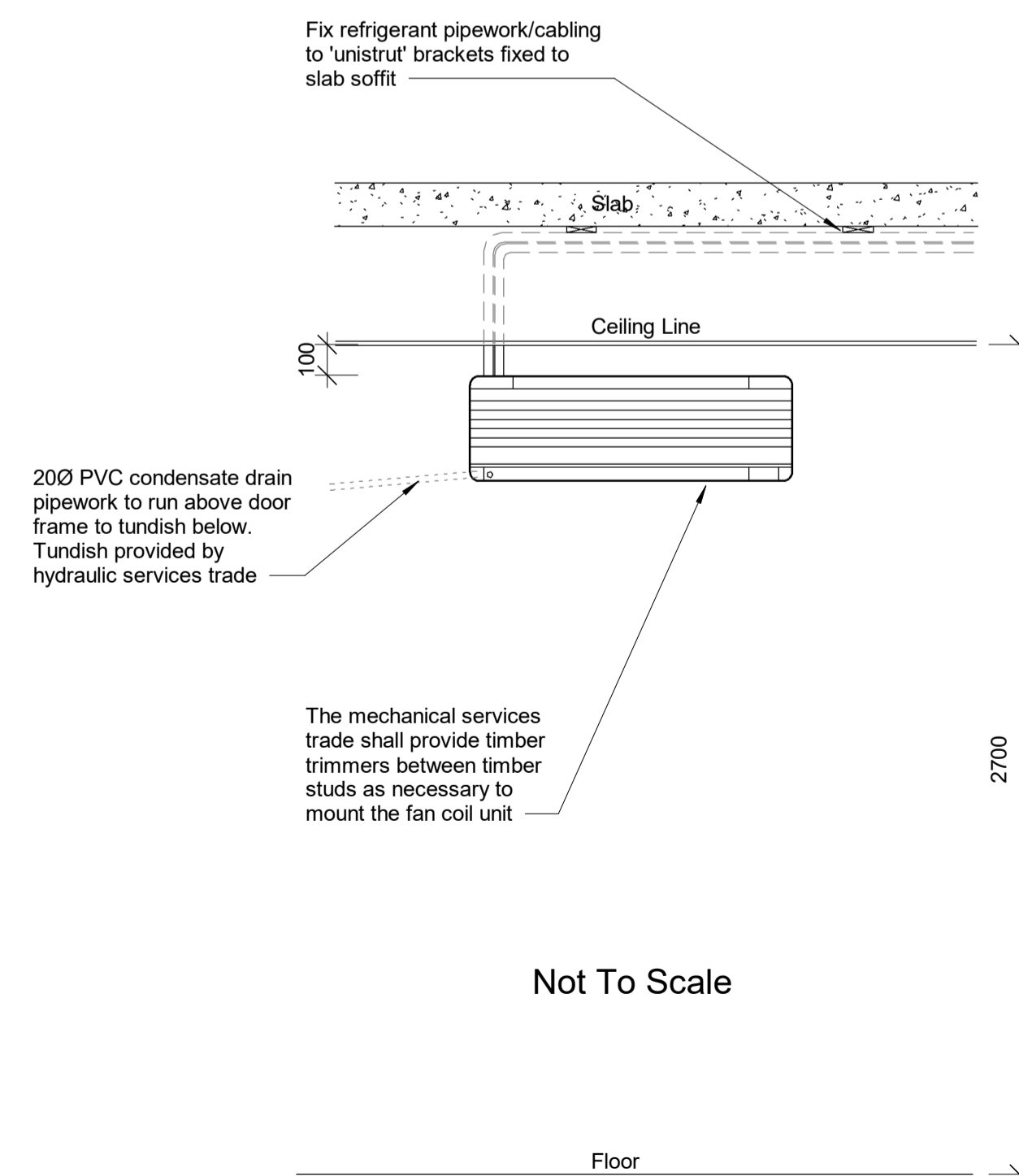
Not To Scale

Flexible Duct Penetration through lightweight acoustic wall



Not To Scale

Typical Penetration Detail for Refrigeration pipework through roof decking



Not To Scale

Typical Wall split FCU detail

A ISSUED FOR CONSTRUCTION 26/11/21
 Issue Amendments Date
 Project

Proposed Stores Building for SCT
 Logistics
 Lot 93 Pellew Road, Penfield. SA

Drawing
**MECHANICAL
 DETAILS**

TSDB

16-22 Erudina Ave, Edwardstown S.A. 5039
 Ph (08) 8277 0111
 Industrial - Commercial - Educational

Date : -

Drawn : Author

Scale : As indicated (@ A1) or (@ A3)

Project Number : 0555

© COPYRIGHT Drawing Number : M02.A

Not for Construction until approved by Statutory Authorities before commencing work or making shop drawings.

26/11/2021 3:21:53 PM

When sheet printed @ A1, the scale bar is 100mm.
 0 50 100