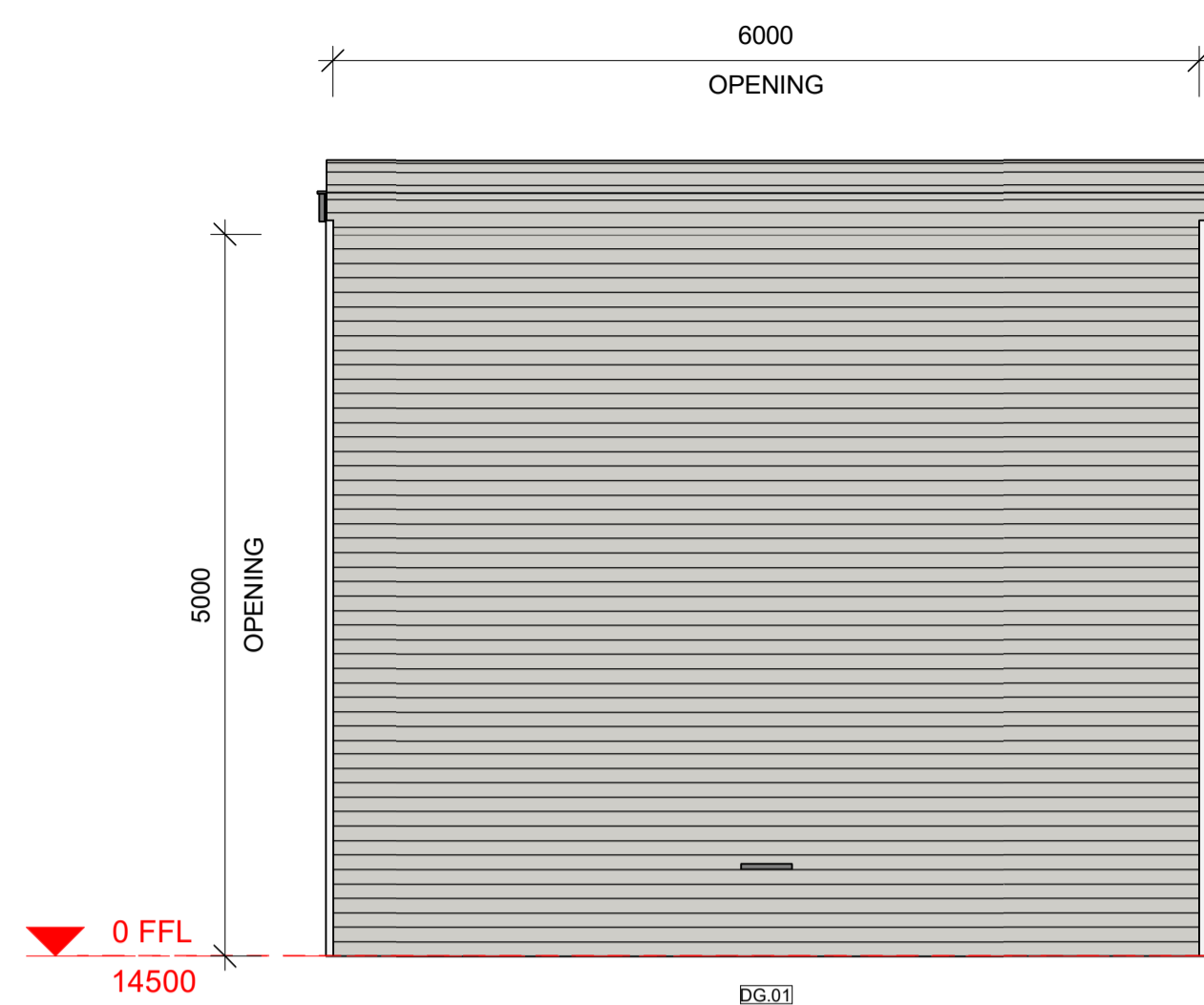


LEGEND

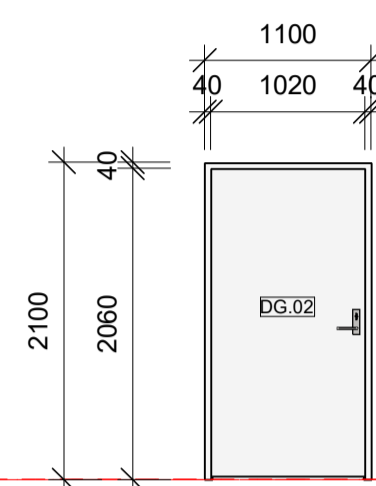
- SJ Silicon Joint
- DEX External Solid Core Door
- DSCV External Solid Core Door w/vision
- DSLG External Glazed Sliding Door
- DFC Internal Solid Core Door

NOTES

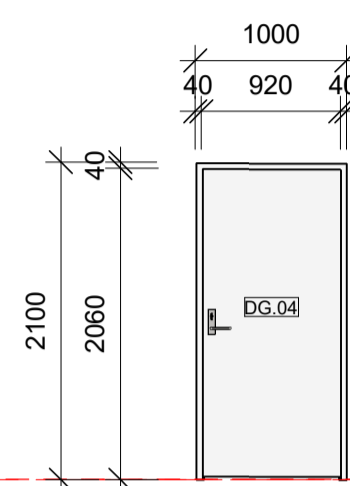
Refer to plan for handing
 All glazing fixed unless otherwise noted
 All doors and window frames natural anodised aluminium unless otherwise stated
 Strengthen aluminium door heads to resist twisting forces imposed by door closers where installed
 Refer specification for door hardware and signage schedule
 For Timber Doors: McCallum A104 WF Interfold Hinge or equivalent brand
 For Aluminium Glass Doors: McCallum A104F Interfold Hinge or equivalent brand
 Refer mechanical documentation for location of door undercut requirements
 All glazing to be in accordance with AS1288
 Unless specified otherwise glass colouring to be as follows:
 External - N/A
 Internal - Clear
 All external windows to have sub-sills and head sills



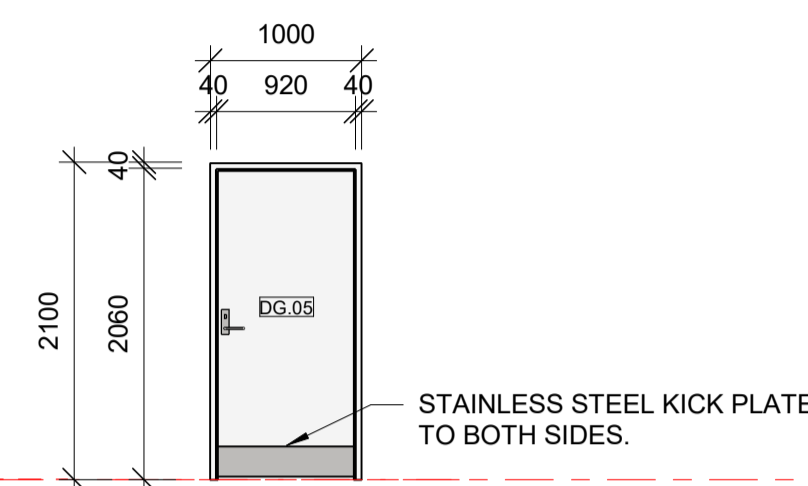
Door DG.01 Elevation
1 : 50



Door DG.02 & DG.03 Elevation
1 : 50

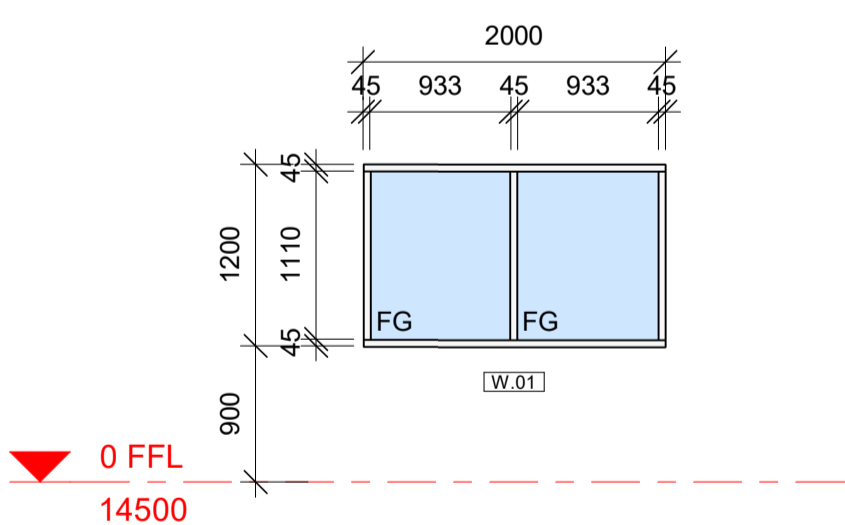


Door DG.04 Elevation
1 : 50



Door DG.05 Elevation - DG.06 Similar
1 : 50

Door Schedule - External														
Mark	Location	Height	Opening	Frame Type	Finish	Door Type	Construction Type	Operation	Function	Key / cylinder	Lock / Latch	Hardware	Closer	Comments
DG.01	STORES BUILDING	5000	6000	STEEL	C/BOND	DRLD	MOTORISED C/BOND ROLLOERDOOR	R/DOOR	Exterior	-	-	MOTOR	No	MOTORISED WITH REMOTE CONTROL. HEAVY DUTY GUIDES.
DG.02	STORES BUILDING	2100	1100	METAL	C/BOND	DEX	SOLID CORE SINGLE SWING DOOR	SINGLE SWING	Exterior	LOCKWOOD - MASTER KEY SYSTEM & CYLINDERS BY CLIENT.	YES, ESCAPE LATCH.	LEVER AT 1m AFFL. EXTERNAL STRIKE SHIELD.	Yes	WEATHER SEAL. INSTALL WIND RESTRAINING CHAIN. HEAVY DUTY DOOR CLOSER.
DG.03	STORES BUILDING	2100	1100	METAL	C/BOND	DEX	SOLID CORE SINGLE SWING DOOR	SINGLE SWING	Exterior	LOCKWOOD - MASTER KEY SYSTEM & CYLINDERS BY CLIENT.	YES, ESCAPE LATCH.	LEVER AT 1m AFFL. EXTERNAL STRIKE SHIELD.	Yes	WEATHER SEAL. INSTALL WIND RESTRAINING CHAIN. HEAVY DUTY DOOR CLOSER.
DG.04	STORES OFFICE	2100	1000	METAL	PAINTED	DFC	SOLID CORE SINGLE SWING DOOR	SINGLE SWING	Interior	LOCKWOOD - MASTER KEY SYSTEM & CYLINDERS BY CLIENT.	YES, ESCAPE LATCH.	LEVER AT 1m AFFL. EXTERNAL STRIKE SHIELD.	Yes	
DG.05	SHW	2100	1000	METAL	PAINTED	DFC	SOLID CORE SINGLE SWING DOOR	SINGLE SWING	Interior		YES, PRIVACY SET.	LEVER AT 1m AFFL. LIFT OFF HINGES. S.S.KICK PLATES TO BOTH SIDES	Yes	SHW SIGNAGE
DG.06	WC	2100	1000	METAL	PAINTED	DFC	SOLID CORE SINGLE SWING DOOR	SINGLE SWING	Interior		YES, PRIVACY SET.	LEVER AT 1m AFFL. LIFT OFF HINGES. S.S.KICK PLATES TO BOTH SIDES	Yes	WC SIGNAGE



Window WG.01 Elevation
1 : 50

Window Schedule						
Mark	Location	Width	Height	Frame Type	Frame Finish	Comments
W.01	STORES OFFICE	2000	1200	AL	Natural Anodised	FIXED CLEAR GLASS

A ISSUED FOR CONSTRUCTION 26/11/21
 Issue Amendments Date
 Project
 Proposed Stores Building for SCT Logistics
 Lot 93 Pellew Road, Penfield. SA

Drawing
DOOR & WINDOW SCHEDULE



16-22 Erudina Ave, Edwardstown S.A. 5039
 Ph (08) 8277 0111
 Industrial - Commercial - Educational

Date : 11/10/21

Drawn : TB

Scale : 1 : 50 (@ A1) or (@ A3)

Project Number : 0555

© COPYRIGHT Drawing Number : **A13.A**

Contractors must verify all dimensions at the job before commencing work or making shop drawings.
 Not for Construction until approved by Statutory Authorities

