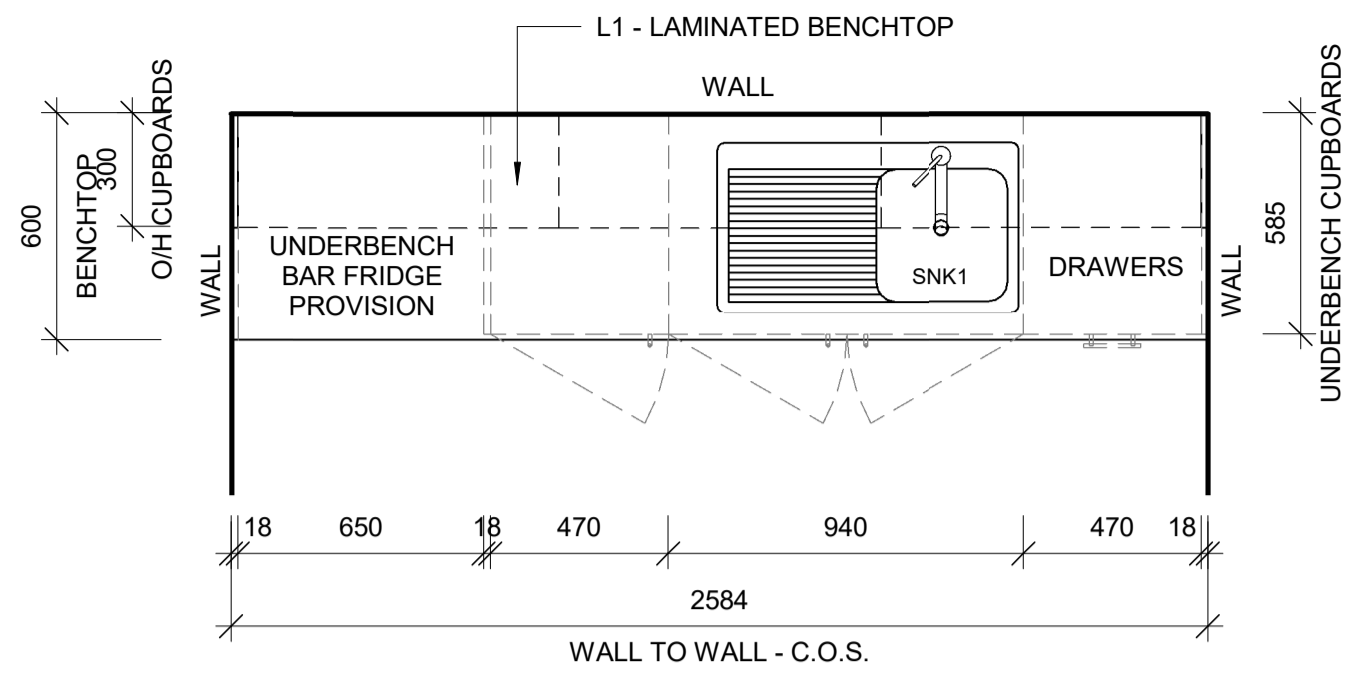


LAMINATE FINISHES

All benchtops in 1mm Laminate on 32mm substrate. MR to wet area's. All edges and shelves finished in matching hard edge.

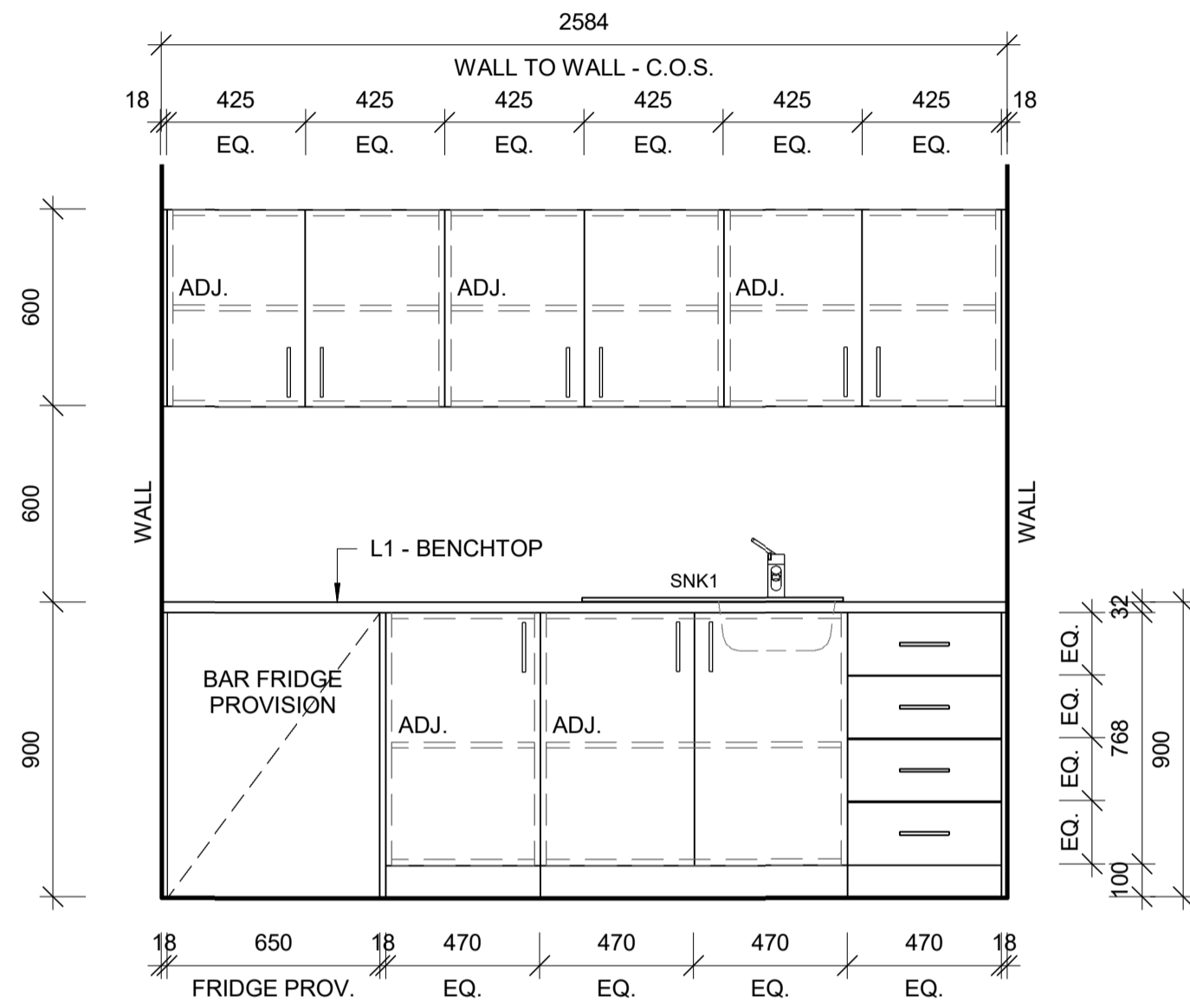
L1 LAMINEX TO BE SELECTED

L2 LAMINEX TO BE SELECTED



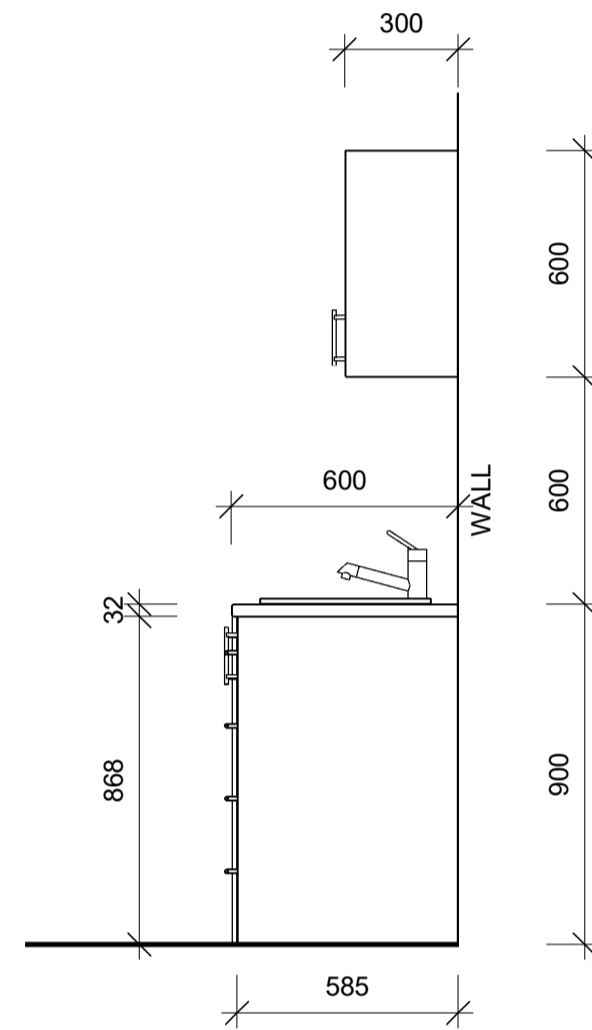
JU-01 - PLAN VIEW

1 : 20



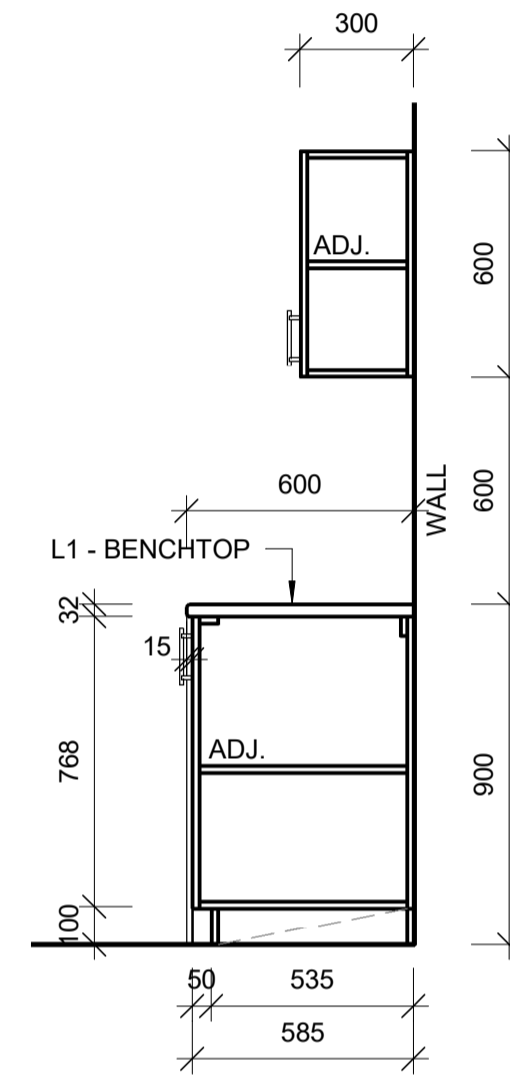
JU-01 - FRONT ELEVATION

1 : 20



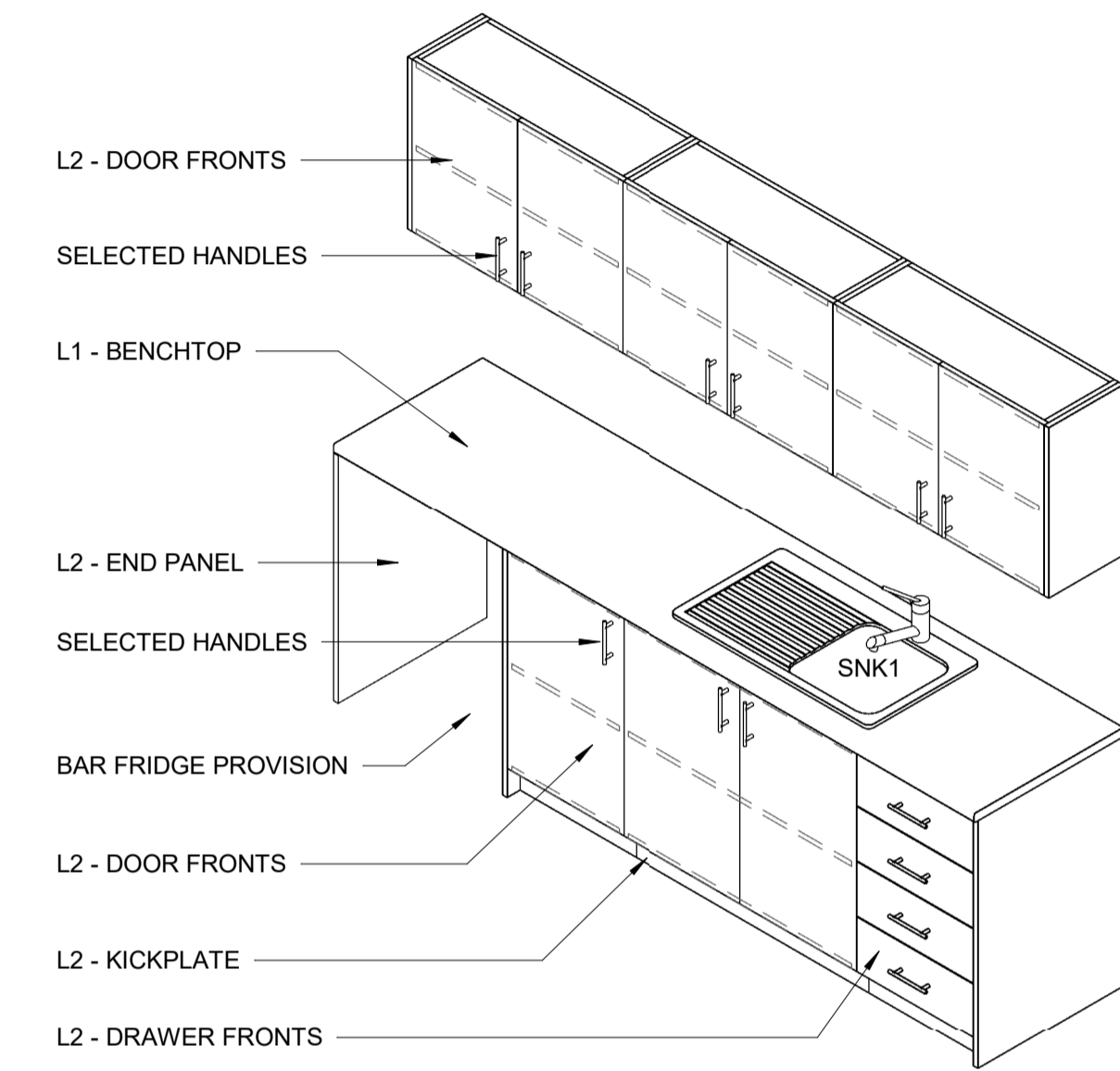
JU-01 - TYP. SIDE VIEW

1 : 20



JU-01 - SECTION A

1 : 20



JU-01 - 3D VIEW

A ISSUED FOR CONSTRUCTION 26/11/21
Issue Amendments Date

Project
Proposed Stores Building for SCT Logistics
Lot 93 Pellew Road, Penfield. SA

Drawing
JOINERY DETAILS



16-22 Erudina Ave, Edwardstown S.A. 5039
Ph (08) 8277 0111
Industrial - Commercial - Educational

Date : 10/11/21

Drawn : TB

Scale : 1 : 20 (@ A1) or (@ A3)

Project Number : 0555

© COPYRIGHT Drawing Number : **A12.A**

Contractors must verify all dimensions at the job before commencing work or making shop drawings.
Not for Construction until approved by Statutory Authorities

26/11/2021 3:17:20 PM

When sheet printed @ A1, the scale bar is 100mm.

